

HADLEY SECTIONS & PROFILES



HADLEY
GROUP

SECTIONS & PROFILES

UltraFENCE™

COLD ROLLED
PALISADE
FENCING SYSTEM

USAGE:

- Boundary Fencing
- Schools, Campus industrial Sites
- Electric/Gas Installations
- Defence Installations

ADVANTAGES:

- Stronger & Lighter
- Anti-grab Tags
- Reduced Installation Time & Cost
- UltraFENCE™ 200 & 300
Conforms to BS1722 Pt12: 2006



Using our unique cold roll forming expertise, we have developed UltraFENCE™ the first complete cold rolled Security Fencing System.

Whilst exceeding the stringent requirements of BS1722 Pt12: 2006* the system is lighter, stronger and more economical than conventional palisade fencing systems.

The system consists of three rolled components:

- UltraPALE™
- UltraRAIL™
- UltraPOST™



www.securedbydesign.com

* UltraFENCE™ 200 & 300 only

SECURITY FENCING
DATASP02F



ULTRA PALE™



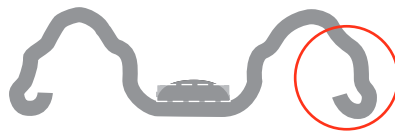
www.securedbydesign.com

A STRONG DURABLE PERIMETER SECURITY SYSTEM

UltraPALE™ is a new concept in steel palisade fencing; the unique design is a result of extensive research and testing.

This lighter yet stronger product incorporates our unique patented bolt head protection which eliminates the opportunity to breach the fence by removing the heads of fixing bolts with a chisel.



The edges of the profile are finished with a neat return edge that provides further strength and safety along the length of the pale making it ideal for use around schools etc.



Each batch of UltraPALE™ that we manufacture is performance is fully tested to ensure that fencing is supplied to the highest standard available. Where product is sold to standard a certificate of conformity is available.

FIXINGS:

Fixings can be found on final page.

RANGE REFERENCE	PERFORMANCE	RECOMMENDED USAGE
ULTRA 100	STANDARD SECURITY	BOUNDARY FENCING
ULTRA 200	GENERAL PURPOSE BS 1722 Pt 12 (GP) 	SCHOOLS, CAMPUS AND INDUSTRIAL SITES
ULTRA 300	SECURITY PURPOSE BS 1722 Pt 12 (SP) 	ELECTRICAL/GAS INSTALLATIONS





SECURITY FENCING
DATA SP02F
UltraFENCE™
 COLD ROLLED
 PALISADE
 FENCING SYSTEM

STEEL PALISADE SUPPORT RAILS

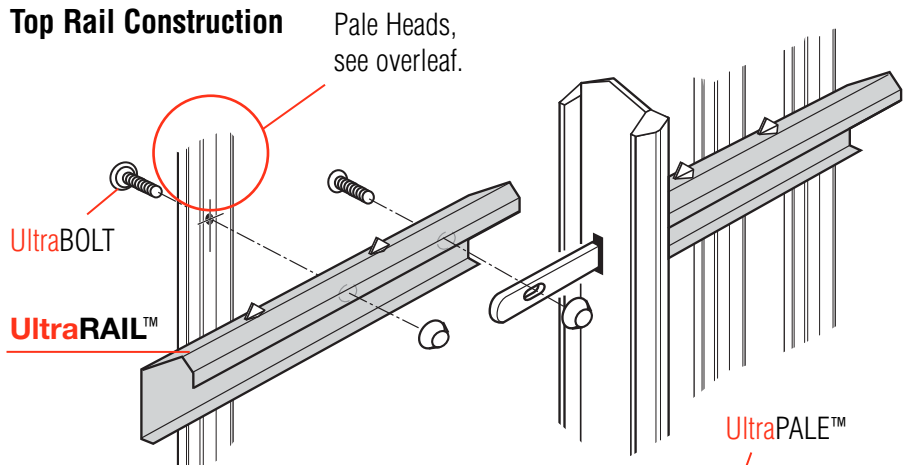
UltraRAIL™ has been developed using cold rolled technology and extensive testing, resulting in a unique lightweight rail that is both stronger & lighter than existing standard 45 x 45mm or 50 x 50mm rails as suggested in BS 1722 Pt12 : 2006.

The aesthetic design and strength of the new profile offers many advantages;

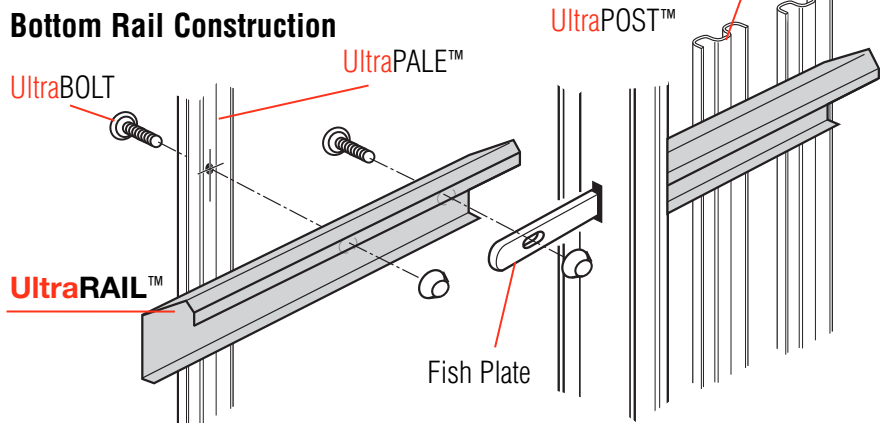
- Reduced sag as seen on standard rails
- Need for 'Anti-Sag Legs' eliminated
- Reduced risk of Anti-vandal fixings being tampered with
- Standard fish plate connections
- Security features in the form of Anti-Grab tags and sloping top discourage intruders from using the rail to assist in climbing
- Standard paling and rail-to-pale fixings

N.B. UltraRAIL™ top rails are supplied without Anti-Grab tags when round top and notched pales are specified.

Top Rail Construction



Bottom Rail Construction

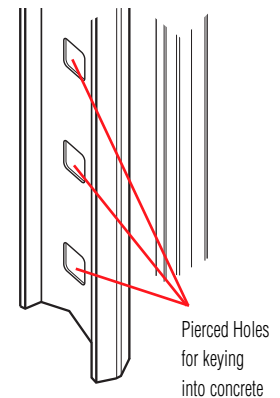


STEEL PALISADE SUPPORT POST.

UltraPOST™ is a technological break through in fence post design which has again resulted in a unique lightweight product that out performs the standard 102 x 44 hot rolled steel joists currently used in the palisade market.

UltraPOST's aesthetic design maintains the appearance of standard posts but offers many advantages;

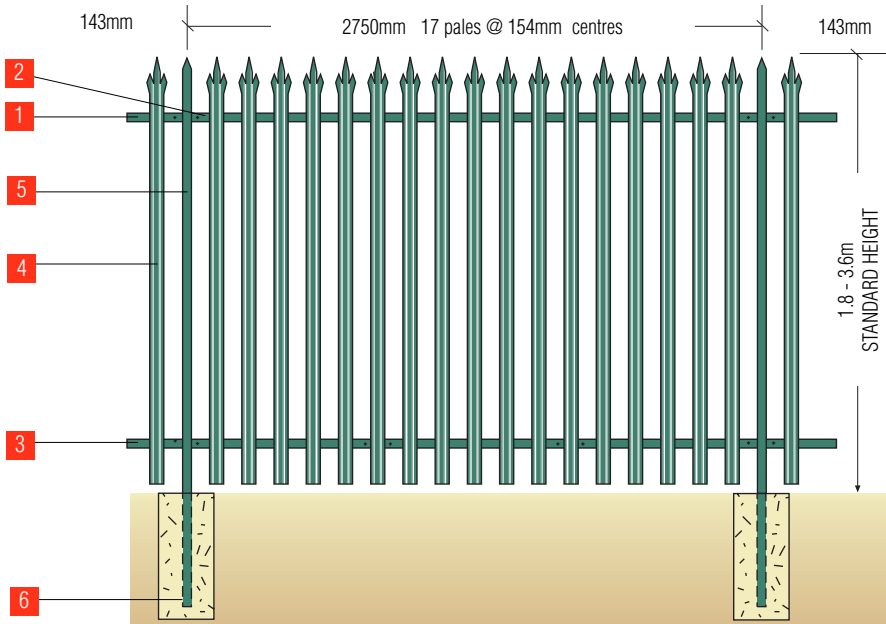
- Slotted to fit standard fish plates
- Pierced at bottom of post to key into concrete
- Lightweight construction for ease of handling without loss of strength



UltraRAIL's & UltraPOST™ are available Hot Dipped Galvanised, or Polyester Powder Coated.

Specifications

TYPICAL CONSTRUCTION FOR UltraFENCE™



SECURITY FENCING DATASPO2F

UltraFENCE™ COLD ROLLED PALISADE FENCING SYSTEM

HEIGHT

Fencing is supplied to BS1722 Part 12 : 2006* in a standard range of 1.8, 2.0, 2.1, 2.4, 3.0 and 3.6 metre heights.

In addition non standard fence configurations can be manufactured for specific requirements.

NB: UltraPOST is available up to and including 3 metre max.

KEY

1. Fish plate to which Top and Bottom Rail are fixed using M12 anti-vandal fixings.
2. Top Rail - UltraRAIL™ to which pales are fixed using UltraBOLT or UltraRIVET.
3. Bottom Rail - UltraRAIL™ to which pales are bolted using UltraBOLT or UltraRIVET.
4. Fencing Pale: UltraPALE™.
5. Standard UltraPOSTs™.
6. Concrete foundation.



TRIPLE POINTED



ROUND TOP & NOTCHED



SINGLE POINT



ROUND TOP



FLAT TOP

PALING HEADS

We supply a selection of heads that can be used with our fencing systems and care should be taken to select the correct head to suit the requirement needed for your project.

*UltraFENCE™ 200 & 300 only

FIXINGS

M8 RIVETS: 8mm rivets with collars.

M6 RIVETS: Available upon request
(does not comply with BS1722 Pt12: 2006)



M8 UltraBOLT: M8 bolt with tamper proof snap off cone nut, suitable for use with general purpose (GP) and security palisade fences (SP).



M12 Bolt: M12 cup square bolt with cone snap off tamper proof nut, suitable for use with general purpose (GP) and security palisade fences (SP).



HADLEY GROUP
SECTIONS & PROFILES

www.hadleygroup.co.uk

Gaitskell Way, Dartmouth Road, Smethwick, West Midlands B66 1BF

Telephone: +44 (0) 121 555 1430

Fax: +44 (0) 121 555 1431

E-mail: sp@hadleygroup.co.uk

