

TECHSPAN™

The floor beam system of choice
for mezzanine professionals



Contents

Introduction	3
Beam Data	4
Piercing information	5
Cleats	6
Restraint Bars	7
Load Tables	8 - 18
Cantilever Load Tables	19

About the Hadley Group

This guide provides details of technical performance and associated test reference for a combination of applications.

The Hadley Group is one of Europe's largest privately owned cold rolled steel manufacturers. Based in and around Smethwick in the West Midlands, the company operates from five UK sites as well as its overseas facilities in Germany, U.A.E and Thailand.

Employing 450 people worldwide and with a turnover of around £100million the company has invested heavily in the technology which has redefined the process of cold roll forming.

With more than 40 cold roll forming machines within the group we have the capability of forming sections

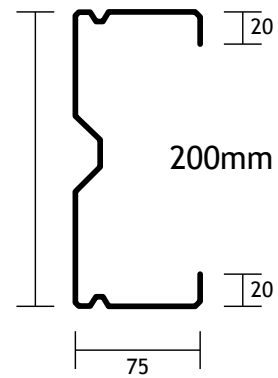
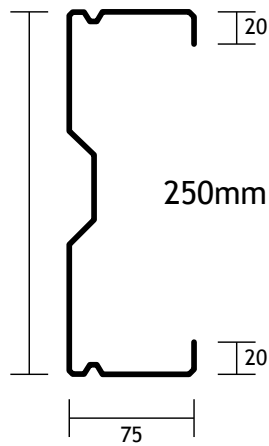
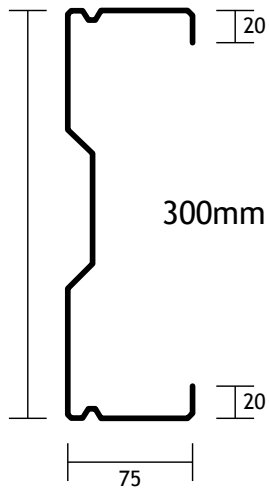
from the lightest gauge available up to 10mm thick, in-line capabilities include, piercing, edge rolling, notching, welding, sweeping and inkjet marking.

Cross section shapes and lengths can be formed to very close, consistent tolerances, leading to dimensionally precise construction which may be important when fitting other components.

Sections can be manufactured to a wide variety of shapes to individual requirements or selected from a range of off-the-shelf products.

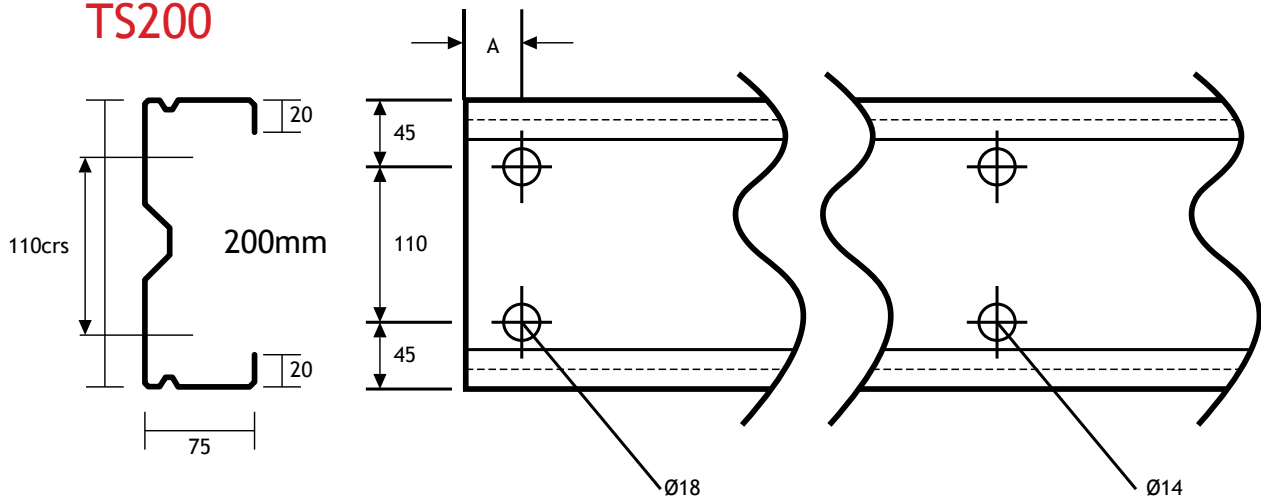
TECHSPAN™ - Beam Data

Beam Ref:	D (mm)	T (mm)	W (kg/m)	A (cm ²)	I _{xx} (cm ⁴)	Z _{xx} (cm ³)	Ult. Moment (kNm)
TS20013	200	1.3	3.95	503.00	326.49	32.65	11.43
TS20015	200	1.5	4.71	599.78	363.02	36.30	12.70
TS20018	200	1.8	5.64	718.15	433.12	43.31	15.20
TS25013	250	1.3	4.46	567.83	551.52	44.12	15.44
TS25015	250	1.5	5.30	674.78	615.07	49.20	17.20
TS25018	250	1.8	6.34	808.15	735.07	58.81	20.60
TS30013	300	1.3	4.97	632.66	851.24	56.75	19.86
TS30015	300	1.5	5.89	749.78	951.41	63.43	22.20
TS30018	300	1.8	7.05	898.15	1135.11	75.67	26.50
TS30020	300	2.0	7.82	996.69	1257.36	83.82	29.30
TS30025	300	2.5	9.75	1241.44	1560.84	104.06	36.40

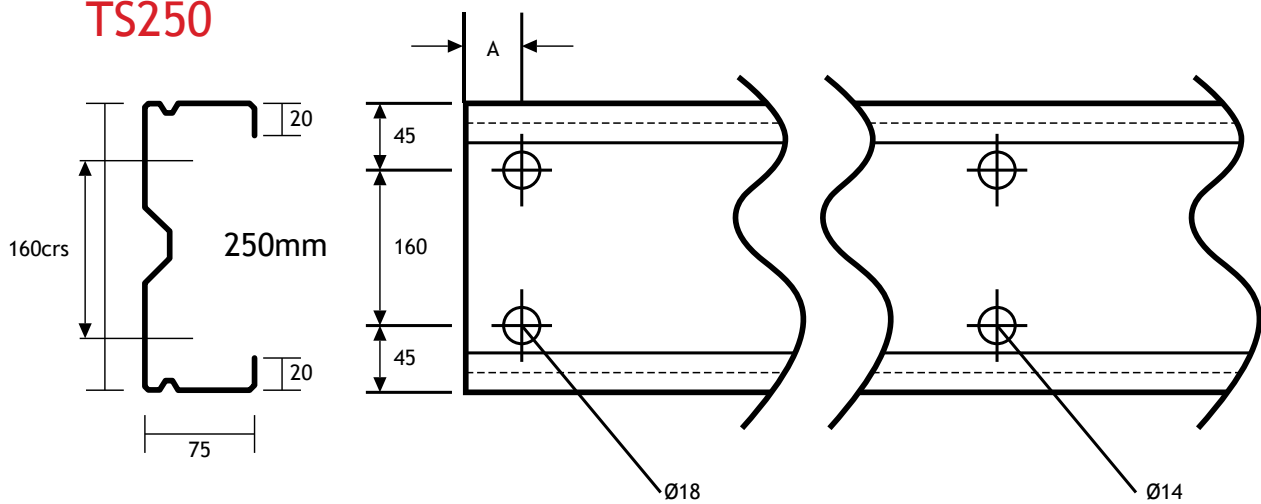


TECHSPAN™ - Piercing information (Standard)

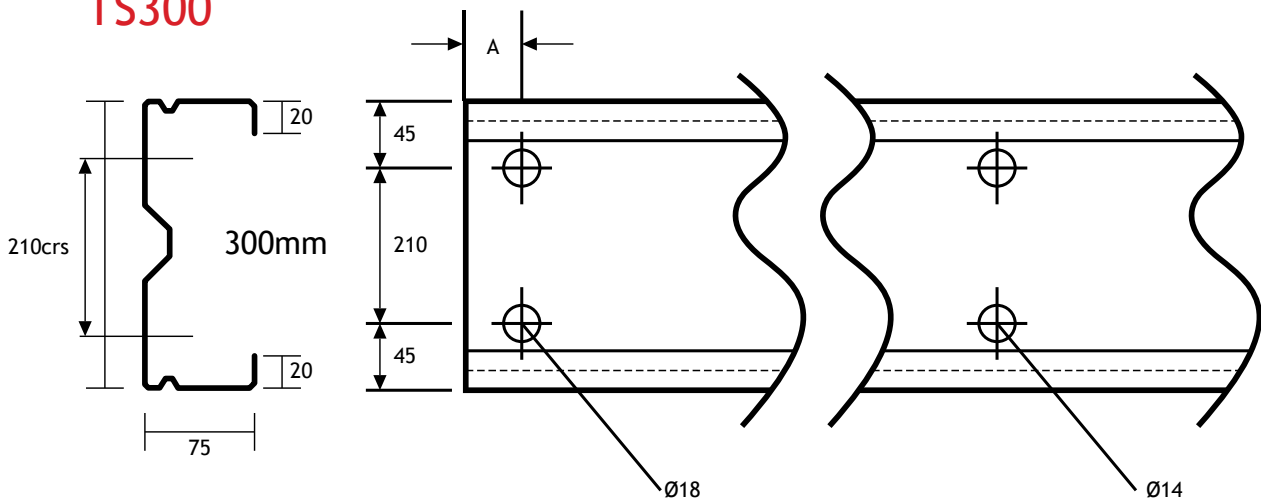
TS200



TS250



TS300



Dimension 'A' - minimum 25mm

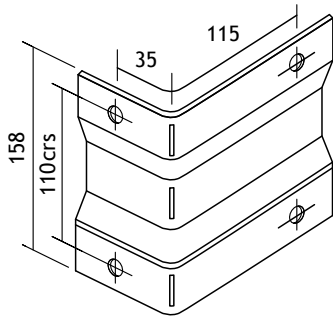
Standard end fixing holes are 18mm diameter.

14mm Restraint bar holes will be supplied when specified

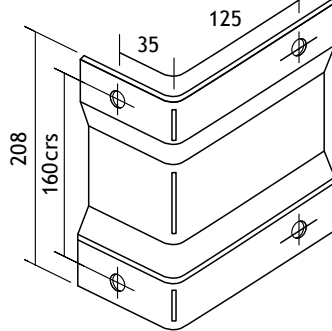
Maximum: 4 x 18Ø + 4 x 14Ø holes in any one beam

TECHSPAN™ - Cleats

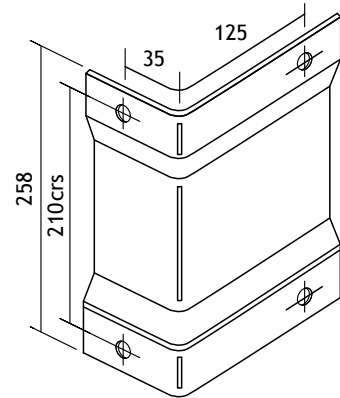
Standard Cleats



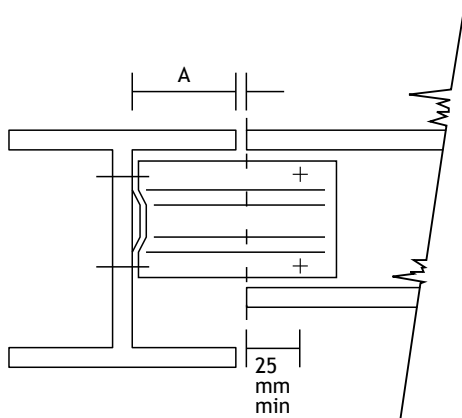
AC200C



AC250C



AC300C



Extended Leg Cleat

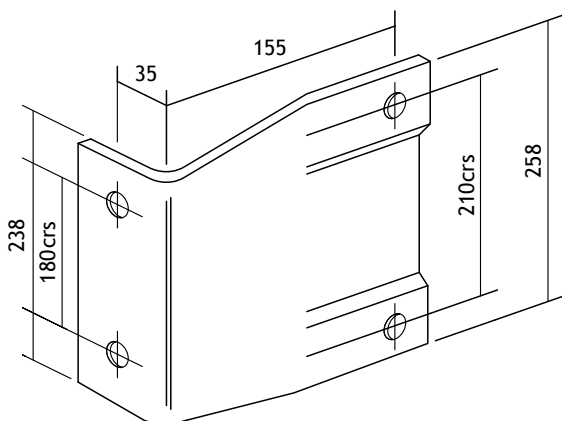
AC200 - DIM. A = 85mm MAX

AC250 - DIM. A = 95mm MAX

AC300 - DIM. A = 95mm MAX

AC300SP - DIM. A = 125mm MAX

AC300SP



5mm thick extended leg cleat
(for TS300 Range of Beams)

To suit:-

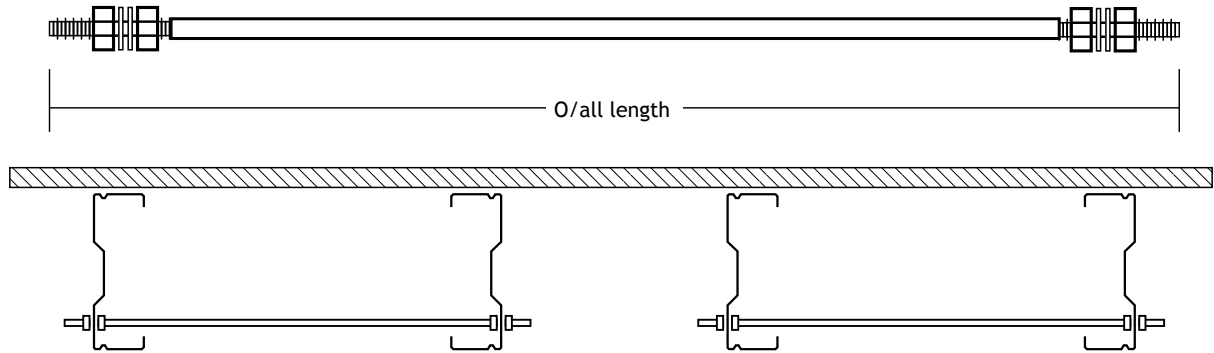
254 × 254 × 89kg/m U/C

or

610 × 229 × 125 kg/m U/beam

TECHSPAN™ - Restraint Bars

12mm diameter. Threaded Rod Zinc Plated - Supplied with 4 nuts & washers



Restraint Bars (for spans over 4 metres) to be fitted between pairs of TECHSPAN™ beams and must be installed prior to the laying of deck materials



TECHSPAN™ - Beam Loads for Single Span (Inset Design - with cleats)

Notes: UDL (Kn) is the safe working load

Span (Metres)	Section	Weight Kg/M	Ixx Cm ⁴	Zxx Cm ³	UDL (KN) for various Deflection Limits			
					L/200	L/250	L/300	L/360
3.0	TS20013	3.95	326.49	32.65	22.13	22.13	21.80	18.15
	TS20015	4.71	363.02	36.30	24.35	24.35	23.93	19.92
	TS20018	5.64	433.12	43.31	2.59	28.59	28.01	23.31
	TS25013	4.46	551.52	44.12	29.96	29.96	29.96	29.96
	TS25015	5.30	615.07	49.20	33.06	33.06	33.06	33.06
	TS25018	6.34	735.07	58.81	38.88	38.88	38.88	38.88

Span (Metres)	Section	Weight Kg/M	Ixx Cm ⁴	Zxx Cm ³	UDL (KN) for various Deflection Limits			
					L/200	L/250	L/300	L/360
3.1	TS20013	3.95	326.49	32.65	21.48	24.48	20.49	17.06
	TS20015	4.71	363.02	36.30	23.63	23.63	22.48	18.71
	TS20018	5.64	433.12	43.31	27.74	27.74	26.30	21.89
	TS25013	4.46	551.52	44.12	29.08	29.08	29.08	29.92
	TS25015	5.30	615.07	49.20	32.09	32.09	32.09	31.81
	TS25018	6.34	735.07	58.81	37.70	37.70	37.70	37.26

Span (Metres)	Section	Weight Kg/M	Ixx Cm ⁴	Zxx Cm ³	UDL (KN) for various Deflection Limits			
					L/200	L/250	L/300	L/360
3.2	TS20013	3.95	326.49	32.65	20.87	20.87	19.30	16.06
	TS20015	4.71	363.02	36.30	22.95	22.95	21.17	17.62
	TS20018	5.64	433.12	43.31	26.93	26.93	24.75	20.60
	TS25013	4.46	551.52	44.12	28.26	28.26	28.26	27.24
	TS25015	5.30	615.07	49.20	31.16	31.16	31.16	29.96
	TS25018	6.34	735.07	58.81	36.61	36.61	36.61	35.07
	TS30013	4.97	851.24	56.75	37.25	37.25	37.25	37.25
	TS30015	5.89	954.41	63.43	41.05	41.05	41.05	41.05

Span (Metres)	Section	Weight Kg/M	Ixx Cm ⁴	Zxx Cm ³	UDL (KN) for various Deflection Limits			
					L/200	L/250	L/300	L/360
3.3	TS20013	3.95	326.49	32.65	20.30	20.30	18.22	15.15
	TS20015	4.71	363.02	36.30	22.31	22.31	19.97	16.62
	TS20018	5.64	433.12	43.31	26.18	26.18	23.33	19.41
	TS25013	4.46	551.52	44.12	27.49	27.49	27.49	25.71
	TS25015	5.30	615.07	49.20	30.30	30.30	30.30	28.26
	TS25018	6.34	735.07	58.81	35.61	35.61	35.61	33.07
	TS30013	4.97	851.24	56.75	36.23	36.23	36.23	36.23
	TS30015	5.89	954.41	63.43	39.93	39.93	39.93	39.93

Span (Metres)	Section	Weight Kg/M	Ixx Cm ⁴	Zxx Cm ³	UDL (KN) for various Deflection Limits			
					L/200	L/250	L/300	L/360
3.4	TS20013	3.95	326.49	32.65	19.76	19.76	17.22	14.33
	TS20015	4.71	363.02	36.30	21.72	21.72	18.87	15.70
	TS20018	5.64	433.12	43.31	25.46	25.46	22.04	18.33
	TS25013	4.46	551.52	44.12	26.76	26.76	26.76	24.31
	TS25015	5.30	615.07	49.20	29.49	29.49	29.49	26.71
	TS25018	6.34	735.07	58.81	34.61	34.61	34.61	31.24
	TS30013	4.97	851.24	56.75	35.29	35.29	35.29	35.29
	TS30015	5.89	954.41	63.43	38.90	38.90	38.90	38.90

TECHSPAN™ - Beam Loads for Single Span (Inset Design - with cleats)

Notes: UDL (Kn) is the safe working load

Span (Metres)	Section	Weight Kg/M	Ixx Cm ⁴	Zxx Cm ³	UDL (KN) for various Deflection Limits			
					L/200	L/250	L/300	L/360
3.5	TS20013	3.95	326.49	32.65	19.25	19.25	16.31	13.56
	TS20015	4.71	363.02	36.30	21.15	21.15	17.86	14.86
	TS20018	5.64	433.12	43.31	24.79	24.79	20.85	17.34
	TS25013	4.46	551.52	44.12	26.08	26.08	26.08	23.02
	TS25015	5.30	615.07	49.20	28.72	28.72	28.72	25.29
	TS25018	6.34	735.07	58.81	33.72	33.72	33.72	29.56
	TS30013	4.97	851.24	56.75	34.42	34.42	34.42	34.42
	TS30015	5.89	954.41	63.43	37.91	37.91	37.91	37.91
	TS30018	7.05	1135.11	75.67	44.31	44.31	44.31	44.31

Span (Metres)	Section	Weight Kg/M	Ixx Cm ⁴	Zxx Cm ³	UDL (KN) for various Deflection Limits			
					L/200	L/250	L/300	L/360
3.6	TS20013	3.95	326.49	32.65	18.77	18.59	15.46	12.86
	TS20015	4.71	363.02	36.30	20.62	20.35	16.93	14.08
	TS20018	5.64	433.12	43.31	24.16	23.75	19.76	16.43
	TS25013	4.46	551.52	44.12	25.43	25.43	25.43	21.84
	TS25015	5.30	615.07	49.20	28.00	28.00	28.00	23.98
	TS25018	6.34	735.07	58.81	32.86	32.86	32.86	28.01
	TS30013	4.97	851.24	56.75	33.58	33.58	33.58	33.58
	TS30015	5.89	954.41	63.43	36.97	36.97	36.97	36.97
	TS30018	7.05	1135.11	75.67	43.20	43.20	43.20	43.20
TS30020	7.82	1257.36	83.82	47.34	47.34	47.34	47.34	

Span (Metres)	Section	Weight Kg/M	Ixx Cm ⁴	Zxx Cm ³	UDL (KN) for various Deflection Limits			
					L/200	L/250	L/300	L/360
3.7	TS20013	3.95	326.49	32.65	18.32	17.65	14.69	12.21
	TS20015	4.71	363.02	36.30	20.11	19.27	16.06	13.37
	TS20018	5.64	433.12	43.31	23.55	22.50	18.75	15.59
	TS25013	4.46	551.52	44.12	24.82	24.82	24.82	20.75
	TS25015	5.30	615.07	49.20	27.32	27.32	27.32	22.77
	TS25018	6.34	735.07	58.81	32.04	32.04	32.04	25.59
	TS30013	4.97	851.24	56.75	32.79	32.79	32.79	32.79
	TS30015	5.89	954.41	63.43	36.09	36.09	36.09	36.09
	TS30018	7.05	1135.11	75.67	42.14	42.14	42.14	42.14
TS30020	7.82	1257.36	83.82	46.18	46.18	46.18	46.18	

Span (Metres)	Section	Weight Kg/M	Ixx Cm ⁴	Zxx Cm ³	UDL (KN) for various Deflection Limits			
					L/200	L/250	L/300	L/360
3.8	TS20013	3.95	326.49	32.65	17.89	16.79	13.97	11.61
	TS20015	4.71	363.02	36.30	19.63	18.38	15.29	12.71
	TS20018	5.64	433.12	43.31	22.99	21.38	17.82	14.81
	TS25013	4.46	551.52	44.12	24.23	24.23	23.72	19.74
	TS25015	5.30	615.07	49.20	26.67	26.67	26.02	21.65
	TS25018	6.34	735.07	58.81	31.27	31.27	30.37	25.27
	TS30013	4.97	851.24	56.75	32.03	32.03	32.03	31.56
	TS30015	5.89	954.41	63.43	35.26	35.26	35.26	34.60
	TS30018	7.05	1135.11	75.67	41.15	41.15	41.15	40.17
TS30020	7.82	1257.36	83.82	45.07	45.07	45.07	43.85	

Span (Metres)	Section	Weight Kg/M	Ixx Cm ⁴	Zxx Cm ³	UDL (KN) for various Deflection Limits			
					L/200	L/250	L/300	L/360
3.9	TS20013	3.95	326.49	32.65	17.48	15.99	13.30	11.06
	TS20015	4.71	363.02	36.30	19.18	17.50	14.55	12.08
	TS20018	5.64	433.12	43.31	22.44	20.39	16.95	14.07
	TS25013	4.46	551.52	44.12	23.68	23.68	22.60	18.80
	TS25015	5.30	615.07	49.20	26.05	26.05	24.78	20.62
	TS25018	6.34	735.07	58.81	30.54	30.54	28.91	24.00
	TS30013	4.97	851.24	56.75	31.32	31.32	31.32	30.08
	TS30015	5.89	954.41	63.43	34.46	34.46	34.46	32.97
	TS30018	7.05	1135.11	75.67	40.20	40.20	40.20	38.26
TS30020	7.82	1257.36	83.82	44.03	44.03	44.03	41.77	

TECHSPAN™ - Beam Loads for Single Span (Inset Design - with cleats)

Notes: UDL (Kn) is the safe working load

Span (Metres)	Section	Weight Kg/M	Ixx Cm ⁴	Zxx Cm ³	UDL (KN) for various Deflection Limits			
					L/200	L/250	L/300	L/360
4.0	TS20013	3.95	326.49	32.65	17.09	15.26	12.68	10.52
	TS20015	4.71	363.02	36.30	18.75	16.68	13.87	11.51
	TS20018	5.64	433.12	43.31	21.93	19.43	16.15	13.40
	TS25013	4.46	551.52	44.12	23.15	23.15	21.55	17.93
	TS25015	5.30	615.07	49.20	25.47	25.47	23.63	19.66
	TS25018	6.34	735.07	58.81	29.84	29.84	27.56	22.92
	TS30013	4.97	851.24	56.75	30.64	30.64	30.64	28.71
	TS30015	5.89	954.41	63.43	33.70	33.70	33.70	31.46
	TS30018	7.05	1135.11	75.67	38.94	38.94	38.94	36.49
	TS30020	7.82	1257.36	83.82	42.32	42.32	42.32	39.82
TS30025	9.75	1560.84	104.06	50.68	50.68	50.68	48.08	

Span (Metres)	Section	Weight Kg/M	Ixx Cm ⁴	Zxx Cm ³	UDL (KN) for various Deflection Limits			
					L/200	L/250	L/300	L/360
4.1	TS20013	3.95	326.49	32.65	16.72	14.57	12.11	10.05
	TS20015	4.71	363.02	36.30	18.34	15.92	13.24	10.99
	TS20018	5.64	433.12	43.31	21.44	18.53	15.41	12.79
	TS25013	4.46	551.52	44.12	22.65	22.65	20.58	17.12
	TS25015	5.30	615.07	49.20	24.91	24.91	22.56	18.77
	TS25018	6.34	735.07	58.81	29.18	29.18	26.29	21.87
	TS30013	4.97	851.24	56.75	29.78	29.78	29.78	27.44
	TS30015	5.89	954.41	63.43	32.41	32.41	32.41	30.06
	TS30018	7.05	1135.11	75.67	37.22	37.22	37.22	34.84
	TS30020	7.82	1257.36	83.82	40.43	40.43	40.43	38.02
TS30025	9.75	1560.84	104.06	48.38	48.38	48.38	45.88	

Span (Metres)	Section	Weight Kg/M	Ixx Cm ⁴	Zxx Cm ³	UDL (KN) for various Deflection Limits			
					L/200	L/250	L/300	L/360
4.2	TS20013	3.95	326.49	32.65	16.36	13.92	11.58	9.62
	TS20015	4.71	363.02	36.30	17.94	15.22	12.65	10.50
	TS20018	5.64	433.12	43.31	20.97	17.65	14.71	12.21
	TS25013	4.46	551.52	44.12	22.18	22.18	19.68	16.37
	TS25015	5.30	615.07	49.20	24.38	24.38	21.56	17.93
	TS25018	6.34	735.07	58.81	28.54	28.54	25.12	20.85
	TS30013	4.97	851.24	56.75	28.54	28.54	28.54	26.25
	TS30015	5.89	954.41	63.43	31.04	31.04	31.04	28.74
	TS30018	7.05	1135.11	75.67	35.62	35.62	35.62	33.30
	TS30020	7.82	1257.36	83.82	38.67	38.67	38.67	36.33
TS30025	9.75	1560.84	104.06	46.24	46.24	46.24	43.81	

Span (Metres)	Section	Weight Kg/M	Ixx Cm ⁴	Zxx Cm ³	UDL (KN) for various Deflection Limits			
					L/200	L/250	L/300	L/360
4.3	TS20013	3.95	326.49	32.65	16.02	13.33	11.07	9.19
	TS20015	4.71	363.02	36.30	17.57	14.56	12.10	10.04
	TS20018	5.64	433.12	43.31	20.52	16.92	14.07	11.68
	TS25013	4.46	551.52	44.12	21.72	21.72	18.83	15.66
	TS25015	5.30	615.07	49.20	23.87	23.87	20.63	17.12
	TS25018	6.34	735.07	58.81	27.94	27.94	24.02	19.94
	TS30013	4.97	851.24	56.75	27.38	27.38	27.38	25.15
	TS30015	5.89	954.41	63.43	29.76	29.76	29.76	27.52
	TS30018	7.05	1135.11	75.67	34.13	34.13	34.13	31.87
	TS30020	7.82	1257.36	83.82	37.04	37.04	37.04	34.75
TS30025	9.75	1560.84	104.06	44.25	44.25	44.25	41.90	

TECHSPAN™ - Beam Loads for Single Span (Inset Design - with cleats)

Notes: UDL (Kn) is the safe working load

Span (Metres)	Section	Weight Kg/M	Ixx Cm ⁴	Zxx Cm ³	UDL (KN) for various Deflection Limits			
					L/200	L/250	L/300	L/360
4.4	TS20013	3.95	326.49	32.65	15.70	12.76	10.60	8.80
	TS20015	4.71	363.02	36.30	17.21	13.94	11.59	9.62
	TS20018	5.64	433.12	43.31	20.10	16.15	13.46	11.17
	TS25013	4.46	551.52	44.12	21.28	21.28	18.04	15.00
	TS25015	5.30	615.07	49.20	23.39	23.39	19.76	16.40
	TS25018	6.34	735.07	58.81	27.36	27.36	22.99	19.08
	TS30013	4.97	851.24	56.75	26.29	26.29	26.29	24.11
	TS30015	5.89	954.41	63.43	28.56	28.56	28.56	26.38
	TS30018	7.05	1135.11	75.67	32.74	32.74	32.74	30.53
	TS30020	7.82	1257.36	83.82	35.51	35.51	35.51	33.28
TS30025	9.75	1560.84	104.06	42.40	42.40	42.40	40.10	

Span (Metres)	Section	Weight Kg/M	Ixx Cm ⁴	Zxx Cm ³	UDL (KN) for various Deflection Limits			
					L/200	L/250	L/300	L/360
4.5	TS20013	3.95	326.49	32.65	15.35	12.24	10.17	8.44
	TS20015	4.71	363.02	36.30	16.76	13.37	11.10	9.21
	TS20018	5.64	433.12	43.31	19.46	15.47	12.89	10.70
	TS25013	4.46	551.52	44.12	20.87	20.81	17.31	14.39
	TS25015	5.30	615.07	49.20	22.93	22.78	18.95	15.73
	TS25018	6.34	735.07	58.81	26.81	26.50	22.04	18.29
	TS30013	4.97	851.24	56.75	25.27	25.27	25.27	23.14
	TS30015	5.89	954.41	63.43	27.44	27.44	27.44	25.31
	TS30018	7.05	1135.11	75.67	31.43	31.43	31.43	29.27
	TS30020	7.82	1257.36	83.82	34.08	34.08	34.08	31.91
TS30025	9.75	1560.84	104.06	40.66	40.66	40.66	38.42	

Span (Metres)	Section	Weight Kg/M	Ixx Cm ⁴	Zxx Cm ³	UDL (KN) for various Deflection Limits			
					L/200	L/250	L/300	L/360
4.6	TS20013	3.95	326.49	32.65	14.73	11.74	9.76	8.10
	TS20015	4.71	363.02	36.30	16.08	12.82	10.65	8.84
	TS20018	5.64	433.12	43.31	18.67	14.89	12.36	10.26
	TS25013	4.46	551.52	44.12	20.47	19.98	16.62	13.81
	TS25015	5.30	615.07	49.20	22.48	21.86	18.18	15.11
	TS25018	6.34	735.07	58.81	26.28	25.42	21.14	17.57
	TS30013	4.97	851.24	56.75	24.32	24.32	24.32	22.23
	TS30015	5.89	954.41	63.43	26.39	26.39	26.39	24.30
	TS30018	7.05	1135.11	75.67	30.20	30.20	30.20	28.10
	TS30020	7.82	1257.36	83.82	32.73	32.73	32.73	30.61
TS30025	9.75	1560.84	104.06	39.03	39.03	39.03	36.85	

Span (Metres)	Section	Weight Kg/M	Ixx Cm ⁴	Zxx Cm ³	UDL (KN) for various Deflection Limits			
					L/200	L/250	L/300	L/360
4.7	TS20013	3.95	326.49	32.65	14.15	11.28	9.37	7.78
	TS20015	4.71	363.02	36.30	15.44	12.31	10.22	8.48
	TS20018	5.64	433.12	43.31	17.92	14.29	11.86	9.84
	TS25013	4.46	551.52	44.12	20.08	19.20	15.96	13.27
	TS25015	5.30	615.07	49.20	22.06	21.00	17.46	14.49
	TS25018	6.34	735.07	58.81	25.77	24.41	20.29	16.84
	TS30013	4.97	851.24	56.75	23.42	23.42	23.42	21.37
	TS30015	5.89	954.41	63.43	25.40	25.40	25.40	23.36
	TS30018	7.05	1135.11	75.67	29.05	29.05	29.05	26.99
	TS30020	7.82	1257.36	83.82	31.47	31.47	31.47	30.40
TS30025	9.75	1560.84	104.06	37.50	37.50	37.50	35.37	

TECHSPAN™ - Beam Loads for Single Span (Inset Design - with cleats)

Notes: UDL (Kn) is the safe working load

Span (Metres)	Section	Weight Kg/M	Ixx Cm ⁴	Zxx Cm ³	UDL (KN) for various Deflection Limits			
					L/200	L/250	L/300	L/360
4.8	TS20013	3.95	326.49	32.65	13.61	10.85	9.00	7.47
	TS20015	4.71	363.02	36.30	14.85	11.78	9.82	8.15
	TS20018	5.64	433.12	43.31	17.22	13.67	11.39	9.45
	TS25013	4.46	551.52	44.12	19.72	18.47	15.35	12.75
	TS25015	5.30	615.07	49.20	21.65	20.15	16.79	13.94
	TS25018	6.34	735.07	58.81	25.29	23.40	19.50	16.19
	TS30013	4.97	851.24	56.75	22.57	22.57	22.57	20.56
	TS30015	5.89	954.41	63.43	24.57	24.57	24.57	22.46
	TS30018	7.05	1135.11	75.67	27.96	27.96	27.96	25.95
	TS30020	7.82	1257.36	83.82	30.29	30.29	30.29	28.26
TS30025	9.75	1560.84	104.06	36.06	36.06	36.06	33.98	

Span (Metres)	Section	Weight Kg/M	Ixx Cm ⁴	Zxx Cm ³	UDL (KN) for various Deflection Limits			
					L/200	L/250	L/300	L/360
4.9	TS20013	3.95	326.49	32.65	13.09	10.44	8.66	7.19
	TS20015	4.71	363.02	36.30	14.28	11.38	9.44	7.84
	TS20018	5.64	433.12	43.31	16.56	13.14	10.95	9.09
	TS25013	4.46	551.52	44.12	19.36	17.77	14.77	12.27
	TS25015	5.30	615.07	49.20	21.26	19.43	16.15	13.40
	TS25018	6.34	735.07	58.81	24.68	22.56	18.75	15.56
	TS30013	4.97	851.24	56.75	21.77	21.77	21.77	19.81
	TS30015	5.89	954.41	63.43	23.59	23.59	23.59	21.63
	TS30018	7.05	1135.11	75.67	26.94	26.94	26.94	24.97
	TS30020	7.82	1257.36	83.82	29.17	29.17	29.17	27.19
TS30025	9.75	1560.84	104.06	34.70	34.70	34.70	32.67	

Span (Metres)	Section	Weight Kg/M	Ixx Cm ⁴	Zxx Cm ³	UDL (KN) for various Deflection Limits			
					L/200	L/250	L/300	L/360
5.0	TS20013	3.95	326.49	32.65	12.61	10.05	8.34	6.92
	TS20015	4.71	363.02	36.30	13.75	10.96	9.09	7.54
	TS20018	5.64	433.12	43.31	15.94	12.70	10.53	8.74
	TS25013	4.46	551.52	44.12	19.03	17.12	14.23	11.82
	TS25015	5.30	615.07	49.20	20.68	18.72	15.55	12.91
	TS25018	6.34	735.07	58.81	23.78	21.72	18.05	14.98
	TS30013	4.97	851.24	56.75	21.02	21.02	21.02	19.09
	TS30015	5.89	954.41	63.43	22.76	22.76	22.76	20.85
	TS30018	7.05	1135.11	75.67	25.98	25.98	25.98	24.05
	TS30020	7.82	1257.36	83.82	28.11	28.11	28.11	26.18
TS30025	9.75	1560.84	104.06	33.42	33.42	33.42	31.44	

Span (Metres)	Section	Weight Kg/M	Ixx Cm ⁴	Zxx Cm ³	UDL (KN) for various Deflection Limits			
					L/200	L/250	L/300	L/360
5.1	TS20013	3.95	326.49	32.65	12.16	9.68	8.03	6.66
	TS20015	4.71	363.02	36.30	13.25	10.55	8.75	7.26
	TS20018	5.64	433.12	43.31	15.35	12.22	10.14	8.42
	TS25013	4.46	551.52	44.12	18.38	16.50	13.71	11.39
	TS25015	5.30	615.07	49.20	19.95	18.03	14.98	12.43
	TS25018	6.34	735.07	58.81	22.93	20.92	17.38	14.43
	TS30013	4.97	851.24	56.75	20.30	20.30	20.30	18.41
	TS30015	5.89	954.41	63.43	21.98	21.98	21.98	20.10
	TS30018	7.05	1135.11	75.67	25.06	25.06	25.06	23.17
	TS30020	7.82	1257.36	83.82	27.12	27.12	27.12	25.22
TS30025	9.75	1560.84	104.06	32.21	32.21	32.21	30.27	

TECHSPAN™ - Beam Loads for Single Span (Inset Design - with cleats)

Notes: UDL (Kn) is the safe working load

Span (Metres)	Section	Weight Kg/M	Ixx Cm ⁴	Zxx Cm ³	UDL (KN) for various Deflection Limits			
					L/200	L/250	L/300	L/360
5.2	TS20013	3.95	326.49	32.65	11.73	9.34	7.75	6.43
	TS20015	4.71	363.02	36.30	12.78	10.17	8.44	6.99
	TS20018	5.64	433.12	43.31	14.79	11.78	9.76	8.10
	TS25013	4.46	551.52	44.12	17.76	15.92	13.23	10.98
	TS25015	5.30	615.07	49.20	19.62	17.39	14.45	11.99
	TS25018	6.34	735.07	58.81	22.12	20.17	16.75	13.90
	TS30013	4.97	851.24	56.75	19.62	19.62	19.62	17.77
	TS30015	5.89	954.41	63.43	21.24	21.24	21.24	22.35
	TS30018	7.05	1135.11	75.67	24.20	24.20	24.20	22.35
	TS30020	7.82	1257.36	83.82	26.17	26.17	26.17	24.32
	TS30025	9.75	1560.84	104.06	31.07	31.07	31.07	29.17

Span (Metres)	Section	Weight Kg/M	Ixx Cm ⁴	Zxx Cm ³	UDL (KN) for various Deflection Limits			
					L/200	L/250	L/300	L/360
5.3	TS20013	3.95	326.49	32.65	11.32	9.01	7.47	6.20
	TS20015	4.71	363.02	36.30	12.33	9.82	8.14	6.74
	TS20018	5.64	433.12	43.31	14.27	11.36	9.41	7.81
	TS25013	4.46	551.52	44.12	17.17	15.37	12.77	10.60
	TS25015	5.30	615.07	49.20	18.62	16.79	13.94	11.57
	TS25018	6.34	735.07	58.81	21.36	19.45	16.15	13.40
	TS30013	4.97	851.24	56.75	18.98	18.98	18.98	17.17
	TS30015	5.89	954.41	63.43	20.54	20.54	20.54	18.72
	TS30018	7.05	1135.11	75.67	23.38	23.38	23.38	21.57
	TS30020	7.82	1257.36	83.82	25.28	25.28	25.28	23.46
	TS30025	9.75	1560.84	104.06	29.98	29.98	29.98	28.13

Span (Metres)	Section	Weight Kg/M	Ixx Cm ⁴	Zxx Cm ³	UDL (KN) for various Deflection Limits			
					L/200	L/250	L/300	L/360
5.4	TS20013	3.95	326.49	32.65	10.93	8.70	7.21	5.98
	TS20015	4.71	363.02	36.30	11.90	9.47	7.85	6.50
	TS20018	5.64	433.12	43.31	13.77	10.96	9.08	7.54
	TS25013	4.46	551.52	44.12	16.61	14.85	12.33	10.23
	TS25015	5.30	615.07	49.20	18.00	16.21	13.46	11.17
	TS25018	6.34	735.07	58.81	20.64	18.74	15.60	12.95
	TS30013	4.97	851.24	56.75	18.38	18.38	18.38	16.59
	TS30015	5.89	954.41	63.43	19.87	19.87	19.87	18.09
	TS30018	7.05	1135.11	75.67	22.61	22.61	22.61	20.83
	TS30020	7.82	1257.36	83.82	24.44	24.44	24.44	22.65
	TS30025	9.75	1560.84	104.06	28.97	28.97	28.97	27.15

Span (Metres)	Section	Weight Kg/M	Ixx Cm ⁴	Zxx Cm ³	UDL (KN) for various Deflection Limits			
					L/200	L/250	L/300	L/360
5.5	TS20013	3.95	326.49	32.65	10.56	8.40	6.97	5.79
	TS20015	4.71	363.02	36.30	11.50	9.15	7.58	6.29
	TS20018	5.64	433.12	43.31	13.30	10.85	8.76	7.27
	TS25013	4.46	551.52	44.12	16.07	14.35	11.92	9.89
	TS25015	5.30	615.07	49.20	17.41	15.66	13.01	10.80
	TS25018	6.34	735.07	58.81	19.96	18.14	15.06	12.50
	TS30013	4.97	851.24	56.75	17.80	17.80	17.80	16.04
	TS30015	5.89	954.41	63.43	19.24	19.24	19.24	17.49
	TS30018	7.05	1135.11	75.67	21.88	21.88	21.88	20.13
	TS30020	7.82	1257.36	83.82	23.63	23.63	23.63	21.88
	TS30025	9.75	1560.84	104.06	28.00	28.00	28.00	26.21

TECHSPAN™ - Beam Loads for Single Span (Inset Design - with cleats)

Notes: UDL (Kn) is the safe working load

Span (Metres)	Section	Weight Kg/M	Ixx Cm ⁴	Zxx Cm ³	UDL (KN) for various Deflection Limits			
					L/200	L/250	L/300	L/360
5.6	TS20013	3.95	326.49	32.65	10.21	8.13	6.73	5.59
	TS20015	4.71	363.02	36.30	11.12	8.84	7.32	6.08
	TS20018	5.64	433.12	43.31	12.85	10.22	8.46	7.02
	TS25013	4.46	551.52	44.12	15.56	13.88	11.52	9.56
	TS25015	5.30	615.07	49.20	16.86	15.15	12.57	10.43
	TS25018	6.34	735.07	58.81	19.31	17.53	14.55	12.08
	TS30013	4.97	851.24	56.75	17.25	17.25	17.25	15.52
	TS30015	5.89	954.41	63.43	18.64	18.64	18.64	16.92
	TS30018	7.05	1135.11	75.67	21.18	21.18	21.18	19.47
	TS30020	7.82	1257.36	83.82	22.87	22.87	22.87	21.16
TS30025	9.75	1560.84	104.06	27.07	27.07	27.07	25.33	

Span (Metres)	Section	Weight Kg/M	Ixx Cm ⁴	Zxx Cm ³	UDL (KN) for various Deflection Limits			
					L/200	L/250	L/300	L/360
5.7	TS20013	3.95	326.49	32.65	9.88	7.86	6.51	5.40
	TS20015	4.71	363.02	36.30	10.76	8.55	7.90	6.54
	TS20018	5.64	433.12	43.31	12.43	9.88	8.17	6.78
	TS25013	4.46	551.52	44.12	15.08	13.43	11.15	9.25
	TS25015	5.30	615.07	49.20	16.33	14.56	12.16	10.09
	TS25018	6.34	735.07	58.81	18.70	16.95	14.07	11.68
	TS30013	4.97	851.24	56.75	16.74	16.74	16.74	15.03
	TS30015	5.89	954.41	63.43	18.07	18.07	18.07	16.38
	TS30018	7.05	1135.11	75.67	20.52	20.52	20.52	18.83
	TS30020	7.82	1257.36	83.82	22.15	22.15	22.15	20.46
TS30025	9.75	1560.84	104.06	26.20	26.20	26.20	24.49	

Span (Metres)	Section	Weight Kg/M	Ixx Cm ⁴	Zxx Cm ³	UDL (KN) for various Deflection Limits			
					L/200	L/250	L/300	L/360
5.8	TS20015	4.71	363.02	36.30	10.41	8.27	6.85	5.66
	TS20018	5.64	433.12	43.31	12.02	9.55	7.90	6.54
	TS25013	4.46	551.52	44.12	14.63	13.01	10.79	8.96
	TS25015	5.30	615.07	49.20	15.83	14.19	11.77	9.77
	TS25018	6.34	735.07	58.81	18.11	16.40	13.61	11.28
	TS30013	4.97	851.24	56.75	16.24	16.24	16.24	14.56
	TS30015	5.89	954.41	63.43	17.52	17.52	17.52	15.86
	TS30018	7.05	1135.11	75.67	19.89	19.89	19.89	18.24
	TS30020	7.82	1257.36	83.82	21.46	21.46	21.46	19.80
	TS30025	9.75	1560.84	104.06	25.36	25.36	25.36	23.69

Span (Metres)	Section	Weight Kg/M	Ixx Cm ⁴	Zxx Cm ³	UDL (KN) for various Deflection Limits			
					L/200	L/250	L/300	L/360
5.9	TS20015	4.71	363.02	36.30	10.08	8.01	6.63	5.48
	TS20018	5.64	433.12	43.31	11.63	9.24	7.64	6.32
	TS25013	4.46	551.52	44.12	14.19	12.60	10.46	8.67
	TS25015	5.30	615.07	49.20	15.35	13.74	11.40	9.46
	TS25018	6.34	735.07	58.81	17.55	15.88	13.17	10.93
	TS30013	4.97	851.24	56.75	15.76	15.76	15.76	14.12
	TS30015	5.89	954.41	63.43	17.00	17.00	17.00	15.37
	TS30018	7.05	1135.11	75.67	19.29	19.29	19.29	17.66
	TS30020	7.82	1257.36	83.82	20.80	20.80	20.80	19.18
	TS30025	9.75	1560.84	104.06	24.57	24.57	24.57	22.92

TECHSPAN™ - Beam Loads for Single Span (Inset Design - with cleats)

Notes: UDL (Kn) is the safe working load

Span (Metres)	Section	Weight Kg/M	Ixx Cm ⁴	Zxx Cm ³	UDL (KN) for various Deflection Limits			
					L/200	L/250	L/300	L/360
6.0	TS20015	4.71	363.02	36.30	9.79	7.76	6.42	5.30
	TS20018	5.64	433.12	43.31	11.27	8.95	7.40	6.11
	TS25013	4.46	551.52	44.12	13.78	12.22	10.13	8.40
	TS25015	5.30	615.07	49.20	14.90	13.31	11.04	9.16
	TS25018	6.34	735.07	58.81	17.02	15.38	12.76	10.59
	TS30013	4.97	851.24	56.75	15.31	15.31	15.31	13.69
	TS30015	5.89	954.41	63.43	16.51	16.51	16.51	14.90
	TS30018	7.05	1135.11	75.67	18.71	18.71	18.71	16.59
	TS30020	7.82	1257.36	83.82	20.18	20.18	20.18	18.58
	TS30025	9.75	1560.84	104.06	23.81	23.81	23.81	22.20

Span (Metres)	Section	Weight Kg/M	Ixx Cm ⁴	Zxx Cm ³	UDL (KN) for various Deflection Limits			
					L/200	L/250	L/300	L/360
6.1	TS20018	5.64	433.12	43.31	10.91	8.66	7.16	5.91
	TS25013	4.46	551.52	44.12	13.38	11.85	9.83	8.14
	TS25015	5.30	615.07	49.20	14.46	12.91	10.71	8.87
	TS25018	6.34	735.07	58.81	16.51	14.91	12.36	10.24
	TS30013	4.97	851.24	56.75	14.88	14.88	14.88	13.29
	TS30015	5.89	954.41	63.43	16.04	16.04	16.04	14.46
	TS30018	7.05	1135.11	75.67	18.17	18.17	18.17	16.59
	TS30020	7.82	1257.36	83.82	19.58	19.58	19.58	18.01
	TS30025	9.75	1560.84	104.06	23.09	23.09	23.09	21.50

Span (Metres)	Section	Weight Kg/M	Ixx Cm ⁴	Zxx Cm ³	UDL (KN) for various Deflection Limits			
					L/200	L/250	L/300	L/360
6.2	TS20018	5.64	433.12	43.31	10.58	8.39	6.94	5.72
	TS25013	4.46	551.52	44.12	13.00	11.49	9.54	7.90
	TS25015	5.30	615.07	49.20	14.04	12.52	10.38	8.60
	TS25018	6.34	735.07	58.81	16.03	14.46	11.98	9.92
	TS30013	4.97	851.24	56.75	14.47	14.47	14.47	12.90
	TS30015	5.89	954.41	63.43	15.59	15.59	15.59	14.03
	TS30018	7.05	1135.11	75.67	17.65	17.65	17.65	16.09
	TS30020	7.82	1257.36	83.82	19.01	19.01	19.01	17.47
	TS30025	9.75	1560.84	104.06	22.41	22.41	22.41	20.84

Span (Metres)	Section	Weight Kg/M	Ixx Cm ⁴	Zxx Cm ³	UDL (KN) for various Deflection Limits			
					L/200	L/250	L/300	L/360
6.3	TS20018	5.64	433.12	43.31	10.26	8.14	6.72	5.55
	TS25013	4.46	551.52	44.12	12.64	11.16	9.25	7.66
	TS25015	5.30	615.07	49.20	13.65	12.15	10.07	8.34
	TS25018	6.34	735.07	58.81	15.57	14.02	11.62	9.62
	TS30013	4.97	851.24	56.75	14.08	14.08	14.08	12.52
	TS30015	5.89	954.41	63.43	15.16	15.16	15.16	13.62
	TS30018	7.05	1135.11	75.67	17.14	17.14	17.14	15.62
	TS30020	7.82	1257.36	83.82	18.47	18.47	18.47	16.95
	TS30025	9.75	1560.84	104.06	21.75	21.75	21.75	20.22

Span (Metres)	Section	Weight Kg/M	Ixx Cm ⁴	Zxx Cm ³	UDL (KN) for various Deflection Limits			
					L/200	L/250	L/300	L/360
6.4	TS25013	4.46	551.52	44.12	12.29	10.84	8.99	7.44
	TS25015	5.30	615.07	49.20	13.27	11.80	9.78	8.10
	TS25018	6.34	735.07	58.81	15.12	13.61	11.28	9.33
	TS30013	4.97	851.24	56.75	13.70	13.70	13.70	12.17
	TS30015	5.89	954.41	63.43	14.75	14.75	14.75	13.23
	TS30018	7.05	1135.11	75.67	16.67	16.67	16.67	15.17
	TS30020	7.82	1257.36	83.82	17.95	17.95	17.95	16.45
	TS30025	9.75	1560.84	104.06	21.12	21.12	21.12	19.62

TECHSPAN™ - Beam Loads for Single Span (Inset Design - with cleats)

Notes: UDL (Kn) is the safe working load

Span (Metres)	Section	Weight Kg/M	Ixx Cm ⁴	Zxx Cm ³	UDL (KN) for various Deflection Limits			
					L/200	L/250	L/300	L/360
6.5	TS25013	4.46	551.52	44.12	11.95	10.53	8.73	7.22
	TS25015	5.30	615.07	49.20	12.90	11.46	9.49	7.86
	TS25018	6.34	735.07	58.81	14.70	13.21	10.95	9.05
	TS30013	4.97	851.24	56.75	13.34	13.34	13.34	11.83
	TS30015	5.89	954.41	63.43	14.35	14.35	14.35	12.86
	TS30018	7.05	1135.11	75.67	16.21	16.21	16.21	14.73
	TS30020	7.82	1257.36	83.82	17.45	17.45	17.45	15.97
	TS30025	9.75	1560.84	104.06	20.52	20.52	20.52	19.04

Span (Metres)	Section	Weight Kg/M	Ixx Cm ⁴	Zxx Cm ³	UDL (KN) for various Deflection Limits			
					L/200	L/250	L/300	L/360
6.6	TS25013	4.46	551.52	44.12	11.64	10.24	8.48	7.02
	TS25015	5.30	615.07	49.20	12.55	11.14	9.23	7.63
	TS25018	6.34	735.07	58.81	14.30	12.84	10.63	8.79
	TS30013	4.97	851.24	56.75	13.00	13.00	13.00	11.50
	TS30015	5.89	954.41	63.43	13.97	13.97	13.97	12.50
	TS30018	7.05	1135.11	75.67	15.77	15.77	15.77	14.32
	TS30020	7.82	1257.36	83.82	16.97	16.97	16.97	15.52
	TS30025	9.75	1560.84	104.06	19.94	19.94	19.94	18.49

Span (Metres)	Section	Weight Kg/M	Ixx Cm ⁴	Zxx Cm ³	UDL (KN) for various Deflection Limits			
					L/200	L/250	L/300	L/360
6.7	TS25013	4.46	551.52	44.12	11.34	9.96	8.25	6.82
	TS25015	5.30	615.07	49.20	12.22	10.83	8.96	7.41
	TS25018	6.34	735.07	58.81	13.91	12.48	10.32	8.54
	TS30013	4.97	851.24	56.75	12.66	12.66	12.66	11.19
	TS30015	5.89	954.41	63.43	13.61	13.61	13.61	12.15
	TS30018	7.05	1135.11	75.67	15.36	15.36	15.36	13.92
	TS30020	7.82	1257.36	83.82	16.52	16.52	16.52	15.08
	TS30025	9.75	1560.84	104.06	19.40	19.40	19.40	17.96

Span (Metres)	Section	Weight Kg/M	Ixx Cm ⁴	Zxx Cm ³	UDL (KN) for various Deflection Limits			
					L/200	L/250	L/300	L/360
6.8	TS25013	4.46	551.52	44.12	11.04	11.04	9.68	6.63
	TS25015	5.30	615.07	49.20	11.90	11.90	10.53	7.21
	TS25018	6.34	735.07	58.81	13.53	13.53	12.12	8.29
	TS30013	4.97	851.24	56.75	12.34	12.34	12.34	10.89
	TS30015	5.89	954.41	63.43	13.26	13.26	13.26	11.83
	TS30018	7.05	1135.11	75.67	14.95	14.95	14.95	13.53
	TS30020	7.82	1257.36	83.82	16.08	16.08	16.08	14.66
	TS30025	9.75	1560.84	104.06	18.47	18.47	18.47	17.45

Span (Metres)	Section	Weight Kg/M	Ixx Cm ⁴	Zxx Cm ³	UDL (KN) for various Deflection Limits			
					L/200	L/250	L/300	L/360
6.9	TS25013	4.46	551.52	44.12	10.76	9.43	7.80	6.45
	TS25015	5.30	615.07	49.20	11.59	10.25	8.48	7.00
	TS25018	6.34	735.07	58.81	13.18	11.79	9.76	8.06
	TS30013	4.97	851.24	56.75	12.04	12.04	12.04	10.61
	TS30015	5.89	954.41	63.43	12.92	12.92	12.92	11.51
	TS30018	7.05	1135.11	75.67	14.57	14.57	14.57	13.17
	TS30020	7.82	1257.36	83.82	15.66	15.66	15.66	14.26
	TS30025	9.75	1560.84	104.06	18.36	18.36	18.36	16.97

TECHSPAN™ - Beam Loads for Single Span (Inset Design - with cleats)

Notes: UDL (Kn) is the safe working load

Span (Metres)	Section	Weight Kg/M	Ixx Cm ⁴	Zxx Cm ³	UDL (KN) for various Deflection Limits			
					L/200	L/250	L/300	L/360
7.0	TS25015	5.30	615.07	49.20	11.30	11.30	9.98	6.81
	TS25018	6.34	735.07	58.81	12.83	12.83	11.47	7.83
	TS30013	4.97	851.24	56.75	11.75	11.75	11.75	10.33
	TS30015	5.89	954.41	63.43	12.61	12.61	12.61	11.21
	TS30018	7.05	1135.11	75.67	14.20	14.20	14.20	12.82
	TS30020	7.82	1257.36	83.82	15.25	15.25	15.25	13.88
	TS30025	9.75	1560.84	104.06	17.87	17.87	17.87	16.50

Span (Metres)	Section	Weight Kg/M	Ixx Cm ⁴	Zxx Cm ³	UDL (KN) for various Deflection Limits			
					L/200	L/250	L/300	L/360
7.1	TS25015	5.30	615.07	49.20	11.01	9.71	8.03	6.63
	TS25018	6.34	735.07	58.81	12.50	11.17	9.23	7.62
	TS30013	4.97	851.24	56.75	11.46	11.46	11.46	10.06
	TS30015	5.89	954.41	63.43	12.30	12.30	12.30	10.92
	TS30018	7.05	1135.11	75.67	13.84	13.84	13.84	12.47
	TS30020	7.82	1257.36	83.82	14.86	14.86	14.86	13.51
	TS30025	9.75	1560.84	104.06	17.41	17.41	17.41	16.05

Span (Metres)	Section	Weight Kg/M	Ixx Cm ⁴	Zxx Cm ³	UDL (KN) for various Deflection Limits			
					L/200	L/250	L/300	L/360
7.2	TS25015	5.30	615.07	49.20	10.74	9.45	7.82	6.45
	TS25018	6.34	735.07	58.81	12.19	10.87	8.98	7.41
	TS30013	4.97	851.24	56.75	11.19	11.19	11.19	9.81
	TS30015	5.89	954.41	63.43	12.00	12.00	12.00	10.63
	TS30018	7.05	1135.11	75.67	13.49	13.49	13.49	12.15
	TS30020	7.82	1257.36	83.82	14.49	14.49	14.49	13.15
	TS30025	9.75	1560.84	104.06	16.96	16.96	16.96	15.62

Span (Metres)	Section	Weight Kg/M	Ixx Cm ⁴	Zxx Cm ³	UDL (KN) for various Deflection Limits			
					L/200	L/250	L/300	L/360
7.3	TS25018	6.34	735.07	58.81	11.88	10.59	8.75	7.21
	TS30013	4.97	851.24	56.75	10.93	10.93	10.93	9.56
	TS30015	5.89	954.41	63.43	11.72	11.72	11.72	10.37
	TS30018	7.05	1135.11	75.67	13.16	13.16	13.16	11.84
	TS30020	7.82	1257.36	83.82	14.13	14.13	14.13	12.81
	TS30025	9.75	1560.84	104.06	16.53	16.53	16.53	15.21

Span (Metres)	Section	Weight Kg/M	Ixx Cm ⁴	Zxx Cm ³	UDL (KN) for various Deflection Limits			
					L/200	L/250	L/300	L/360
7.4	TS25018	6.34	735.07	58.81	11.59	10.32	8.52	7.02
	TS30013	4.97	851.24	56.75	10.67	10.67	10.67	9.32
	TS30015	5.89	954.41	63.43	11.44	11.44	11.44	10.11
	TS30018	7.05	1135.11	75.67	12.85	12.85	12.85	11.54
	TS30020	7.82	1257.36	83.82	13.79	13.79	13.79	12.48
	TS30025	9.75	1560.84	104.06	16.11	16.11	16.11	14.81

Span (Metres)	Section	Weight Kg/M	Ixx Cm ⁴	Zxx Cm ³	UDL (KN) for various Deflection Limits			
					L/200	L/250	L/300	L/360
7.5	TS25018	6.34	735.07	58.81	11.30	10.05	8.30	6.84
	TS30013	4.97	851.24	56.75	10.43	10.43	10.43	9.10
	TS30015	5.89	954.41	63.43	11.18	11.18	11.18	9.86
	TS30018	7.05	1135.11	75.67	12.54	12.54	12.54	11.25
	TS30020	7.82	1257.36	83.82	13.45	13.45	13.45	12.16
	TS30025	9.75	1560.84	104.06	15.71	15.71	15.71	14.43

Span (Metres)	Section	Weight Kg/M	Ixx Cm ⁴	Zxx Cm ³	UDL (KN) for various Deflection Limits			
					L/200	L/250	L/300	L/360
7.6	TS25018	6.34	735.07	58.81	11.04	9.80	8.09	6.66
	TS30013	4.97	851.24	56.75	10.19	10.19	10.19	8.88
	TS30015	5.89	954.41	63.43	10.91	10.91	10.91	9.62
	TS30018	7.05	1135.11	75.67	12.24	12.24	12.24	10.97
	TS30020	7.82	1257.36	83.82	13.13	13.13	13.13	11.86
	TS30025	9.75	1560.84	104.06	15.32	15.32	15.32	14.06

TECHSPAN™ - Beam Loads for Single Span (Inset Design - with cleats)

Notes: UDL (Kn) is the safe working load

Span (Metres)	Section	Weight Kg/M	lxx Cm ⁴	Zxx Cm ³	UDL (KN) for various Deflection Limits			
					L/200	L/250	L/300	L/360
7.7	TS30013	4.97	851.24	56.75	9.97	9.97	9.97	8.66
	TS30015	5.89	954.41	63.43	10.67	10.67	10.67	9.39
	TS30018	7.05	1135.11	75.67	11.96	11.96	11.96	10.70
	TS30020	7.82	1257.36	83.82	12.82	12.82	12.82	11.57
	TS30025	9.75	1560.84	104.06	14.95	14.95	14.95	13.71
7.8	TS30013	4.97	851.24	56.75	9.75	9.75	9.75	8.46
	TS30015	5.89	954.41	63.43	10.43	10.43	10.43	9.17
	TS30018	7.05	1135.11	75.67	11.68	11.68	11.68	10.44
	TS30020	7.82	1257.36	83.82	12.52	12.52	12.52	11.28
	TS30025	9.75	1560.84	104.06	14.59	14.59	14.59	13.36
7.9	TS30013	4.97	851.24	56.75	9.54	9.54	9.54	8.26
	TS30015	5.89	954.41	63.43	10.20	10.20	10.20	8.94
	TS30018	7.05	1135.11	75.67	11.42	11.42	11.42	10.19
	TS30020	7.82	1257.36	83.82	12.23	12.23	12.23	11.00
	TS30025	9.75	1560.84	104.06	14.24	14.24	14.24	13.03
8.0	TS30013	4.97	851.24	56.75	9.34	9.34	9.34	8.07
	TS30015	5.89	954.41	63.43	9.98	9.98	9.98	8.74
	TS30018	7.05	1135.11	75.67	11.16	11.16	11.16	9.94
	TS30020	7.82	1257.36	83.82	11.95	11.95	11.95	10.74
	TS30025	9.75	1560.84	104.06	13.91	13.91	13.91	12.71
8.1	TS30013	4.97	851.24	56.75	9.14	9.14	9.14	7.89
	TS30015	5.89	954.41	63.43	9.76	9.76	9.76	8.54
	TS30018	7.05	1135.11	75.67	10.92	10.92	10.92	9.71
	TS30020	7.82	1257.36	83.82	11.68	11.68	11.68	10.49
	TS30025	9.75	1560.84	104.06	13.58	13.58	13.58	12.40
8.2	TS30013	4.97	851.24	56.75	8.95	8.95	8.95	8.34
	TS30015	5.89	954.41	63.43	9.55	9.55	9.55	8.34
	TS30018	7.05	1135.11	75.67	10.68	10.68	10.68	9.49
	TS30020	7.82	1257.36	83.82	11.42	11.42	11.42	10.24
	TS30025	9.75	1560.84	104.06	13.28	13.28	13.28	12.10
8.3	TS30013	4.97	851.24	56.75	8.76	8.76	8.76	7.54
	TS30015	5.89	954.41	63.43	9.35	9.35	9.35	8.15
	TS30018	7.05	1135.11	75.67	10.44	10.44	10.44	9.26
	TS30020	7.82	1257.36	83.82	11.17	11.17	11.17	10.00
	TS30025	9.75	1560.84	104.06	12.97	12.97	12.97	11.82
8.4	TS30013	4.97	851.24	56.75	8.58	8.58	8.58	7.37
	TS30015	5.89	954.41	63.43	9.16	9.16	9.16	7.97
	TS30018	7.05	1135.11	75.67	10.22	10.22	10.22	9.06
	TS30020	7.82	1257.36	83.82	10.93	10.93	10.93	9.77
	TS30025	9.75	1560.84	104.06	12.68	12.68	12.68	11.54
8.5	TS30013	4.97	851.24	56.75	8.41	8.41	8.41	7.21
	TS30015	5.89	954.41	63.43	8.97	8.97	8.97	7.79
	TS30018	7.05	1135.11	75.67	10.00	10.00	10.00	8.85
	TS30020	7.82	1257.36	83.82	10.69	10.69	10.69	9.55
	TS30025	9.75	1560.84	104.06	12.40	12.40	12.40	11.27

18 All loads given in the above tables are nett kn. Self loads have been deducted in all cases. The load tables may only be used for web fixed applications using TECHSPAN™ shaped cleats. The span should be taken as centres of primary beams. Where spans exceed 4.0 metres a central restraint bar should be used, and the beams should be installed facing each other, tied in pairs.

TECHSPAN™ - Cantilever Load Tables

Notes: UDL (Kn) is the safe working load

Length	Section	UDL (Kn)	Floor load (kN/sq m) for beam centres (m)					
			0.420	0.488	0.525	0.610	0.700	0.813
0.3	TS200	1.92	15.25	13.13	12.20	10.50	9.15	7.88
	TS250	3.29	26.10	22.46	20.88	17.97	15.66	13.48
	TS300	6.18	49.06	42.23	39.25	33.78	29.44	25.35
0.4	TS200	1.42	8.48	7.30	6.79	5.84	5.09	4.38
	TS250	2.45	14.57	12.54	11.66	10.03	8.74	7.52
	TS300	4.61	27.44	23.62	21.95	18.89	16.46	14.18
0.5	TS200	1.12	5.35	4.61	4.28	3.68	3.21	2.76
	TS250	1.94	9.23	7.94	7.38	6.35	5.54	4.77
	TS300	3.66	17.45	15.02	13.96	12.01	10.47	9.01
0.6	TS200	0.92	3.65	3.14	2.92	2.52	-	-
	TS250	1.59	6.34	5.45	5.07	4.36	3.80	3.27
	TS300	3.03	12.03	10.36	9.62	8.28	7.22	6.21
0.7	TS250	1.35	4.59	3.95	3.67	3.16	2.75	-
	TS300	2.58	8.77	7.54	7.01	6.04	5.26	4.53
0.8	TS250	1.16	3.46	2.98	2.77	-	-	-
	TS300	2.23	6.64	5.72	5.31	4.57	3.98	3.43
0.9	TS300	2.23	6.64	5.72	5.31	4.57	3.98	3.43
1.0	TS300	1.74	4.15	3.57	3.32	2.86	-	-

The above cantilever load tables for uniformly distributed loads assume that both flanges of the profile have been adequately restrained.

This table covers all profiles from 1.3mm to 2.5mm

Length	Section	Max Point Load KN
0.3	TS200	0.948
	TS250	1.629
	TS300	3.071
0.4	TS200	0.696
	TS250	1.204
	TS300	2.282
0.5	TS200	0.541
	TS250	0.945
	TS300	1.805
0.6	TS200	0.436
	TS250	0.77
	TS300	1.482
0.7	TS250	0.642
	TS300	1.249
0.8	TS250	0.544
	TS300	1.072
0.9	TS300	0.931
1.0	TS300	0.817

N.B.

The load table to the left shows the maximum allowable point load at the extremity of the cantilver.

This table covers all profiles thicknesses from 1.3mm to 2.5mm

