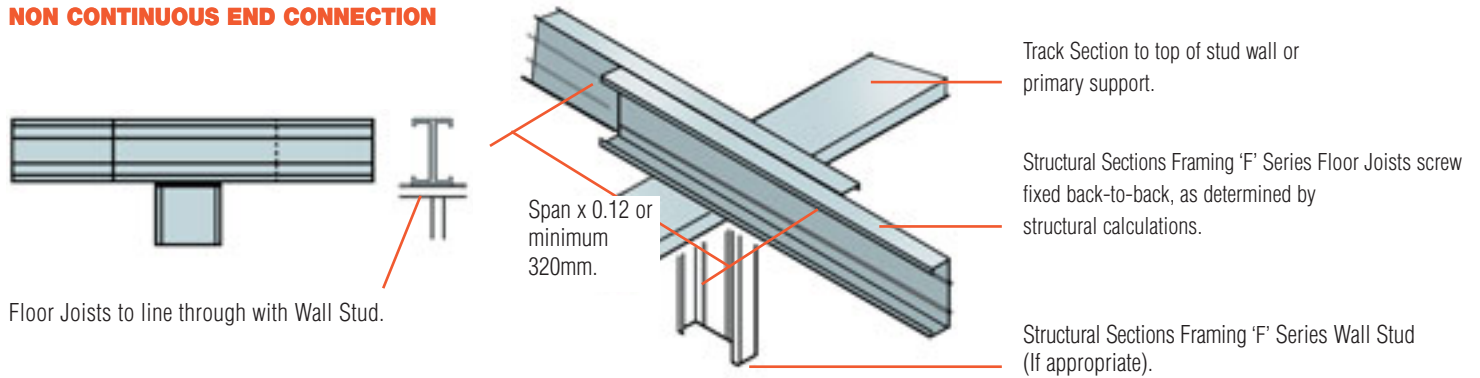
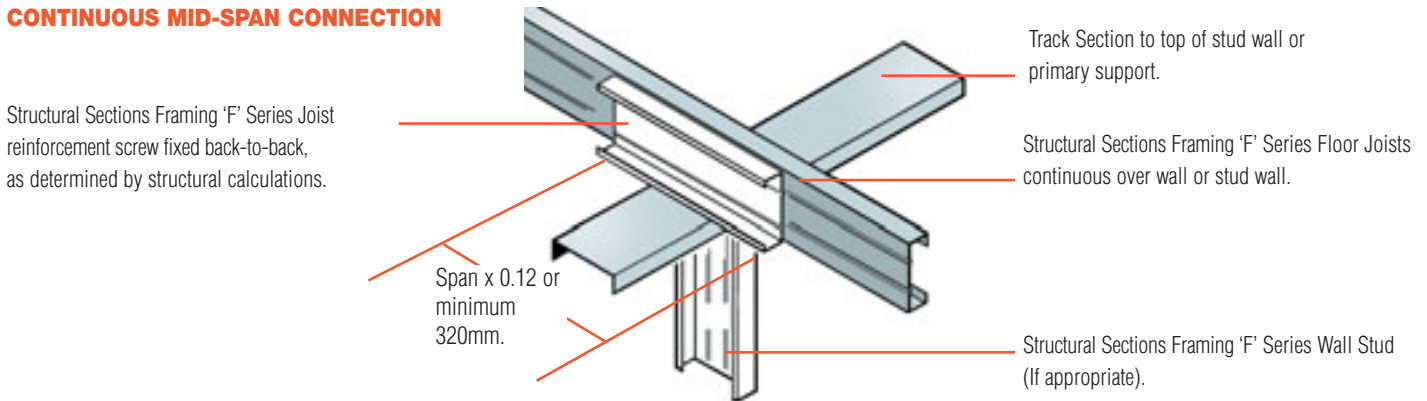


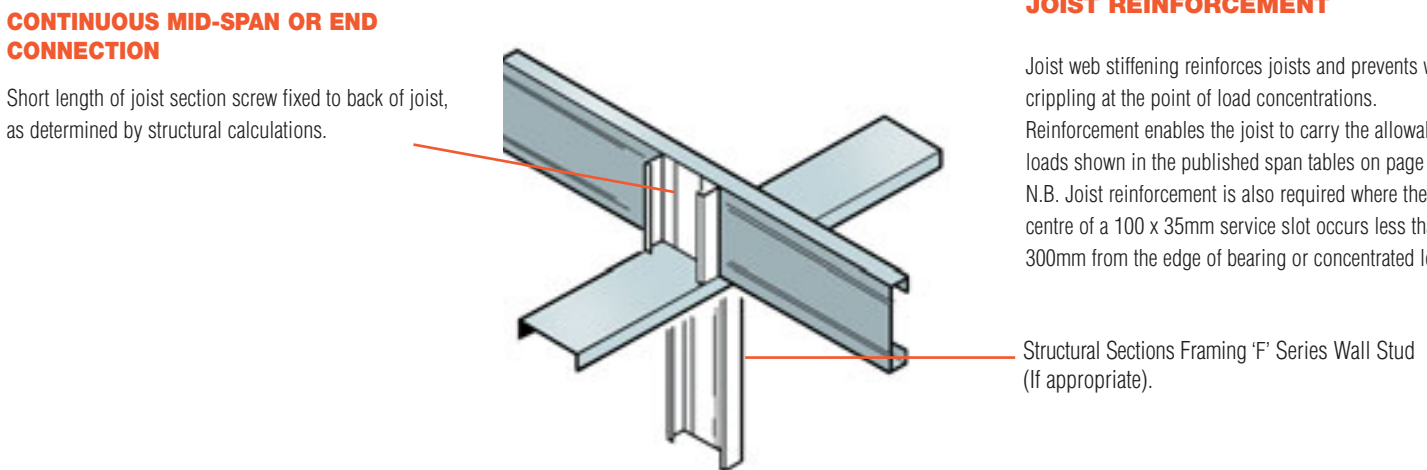
**NON CONTINUOUS END CONNECTION**



**CONTINUOUS MID-SPAN CONNECTION**



**CONTINUOUS MID-SPAN OR END CONNECTION**



**JOIST REINFORCEMENT**

Joist web stiffening reinforces joists and prevents web crippling at the point of load concentrations. Reinforcement enables the joist to carry the allowable loads shown in the published span tables on page 18. N.B. Joist reinforcement is also required where the centre of a 100 x 35mm service slot occurs less than 300mm from the edge of bearing or concentrated load.

**BLOCK WORK CONNECTION**

